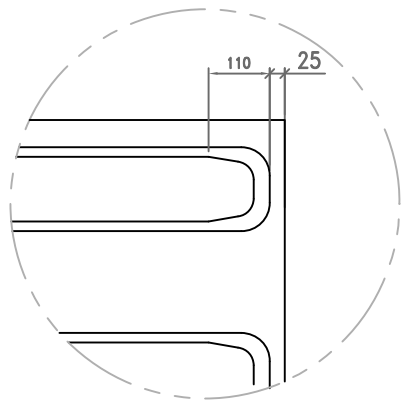
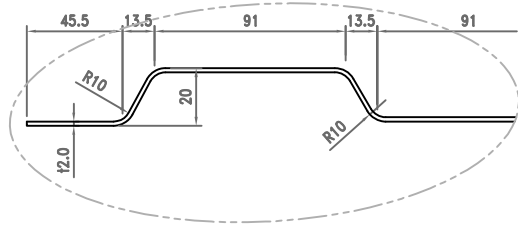


SECTION A - A



DETAIL "B"



DETAIL "C"

		PART NO.	SPEC
		CIMC-D01-01	2.0X1045X2356
		CIMC-D01-05	2.0X1045X600
		CIMC-D01-05-2	2.0X1045X1200
TITLE	Roof Panel (Patch) 五波圆头大/小/中顶板	WEIGHT	42.117/11.43/22.865KGS
SPEC	2.0x1045xL	MATERIAL	CORTEN
PART NO.	CIMC-D01-01/05/05-2	UNIT	mm
		PAGE NO.	1

