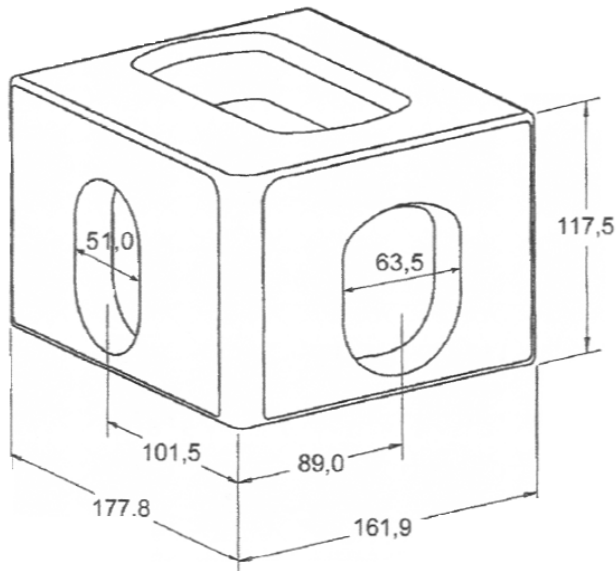


Container Corner Castings according to ISO 1161-1984(E)



Type L 30.889 A
top left (as shown)

Type L 30.889 B
top right (opposite)

acc. to our drawing no.
40 0279 48

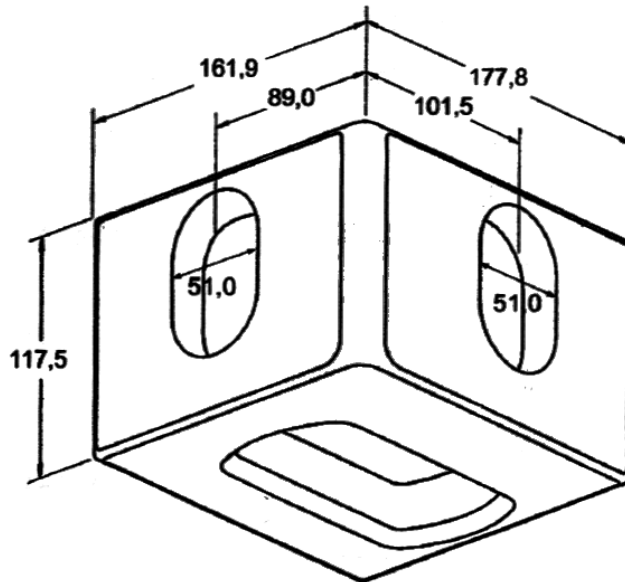
Weight: 11,5 kgs/piece

Type L 30.889 C
bottom left (opposite)

Type L 30.889 D
bottom right (as shown)

acc. to our drawing
no. 40 0279 48

Weight: 11,5 kgs/piece



The castings are properly cast, dressed, normalized, shotblasted and machined on the outside surfaces; made of *Aldur S 45*, a non-ageing, fine-grained structural cast steel, resistant to brittle fracture with high yield strength, guaranteed weldability and designed for low temperature working (at -40°C as standard).