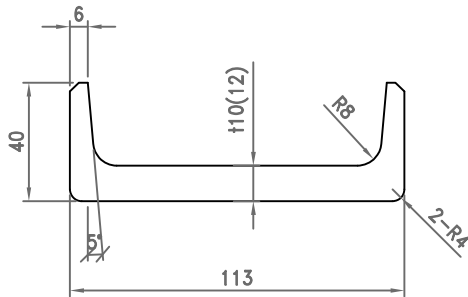


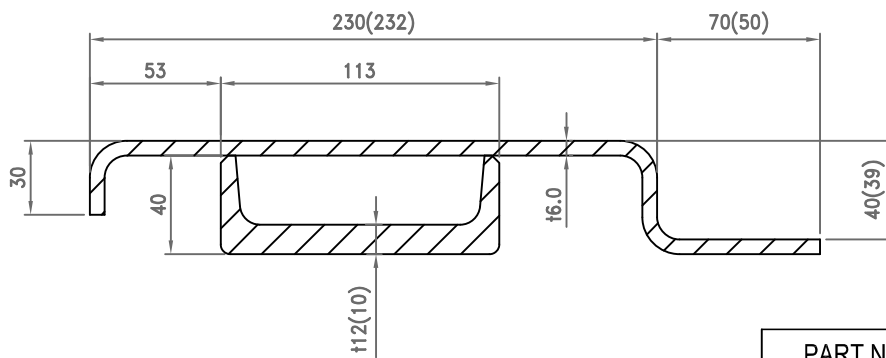
Rear Corner Post Outer 后外角柱

PART NO.	SPEC
CIMC-D06-01A	6.0X50X40X232X2400
CIMC-D06-01B	6.0X50X40X232X2700
CIMC-D06-02A	6.0X70X39X230X2400
CIMC-D06-02B	6.0X70X39X230X2700



Rear Corner Post Inner 后内角柱

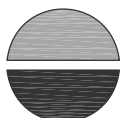
PART NO.	SPEC
CIMC-D06-03A	10X113X40X2353
CIMC-D06-03B	12X113X40X2353
CIMC-D06-03C	12X113X40X2657



Rear Corner Post 后角柱

PART NO.	SPEC
CIMC-D06-04A	6.0X50X40X232X2400&10X113X40X2353
CIMC-D06-04B	6.0X50X40X232X2400&12X113X40X2353
CIMC-D06-04C	6.0X50X40X232X2700&12X113X40X2657
CIMC-D06-05A	6.0X70X39X230X2400&12X113X40X2353
CIMC-D06-05B	6.0X70X39X230X2700&12X113X40X2657

TITLE	Rear Corner Post 后外(内)角柱	WEIGHT	
SPEC	6.0X50/70X40/39X232X2400/2700	MATERIAL	
PART NO.	CIMC-D06	UNIT	mm
		PAGE NO.	12



CIMC