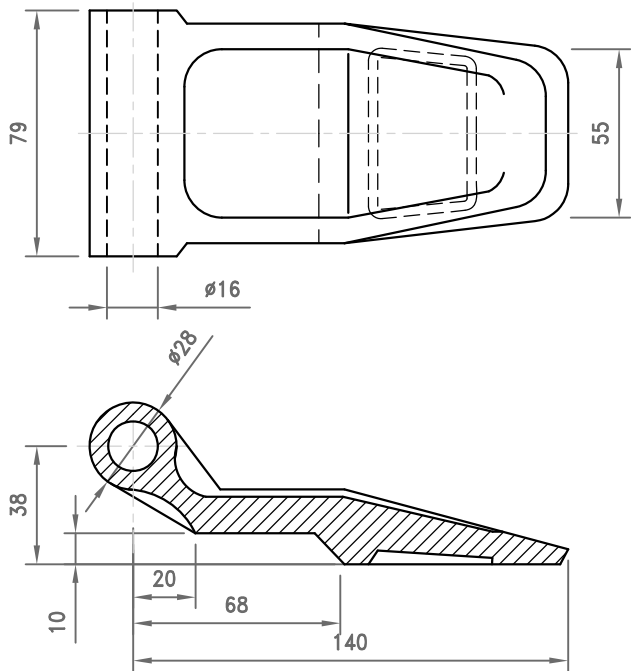
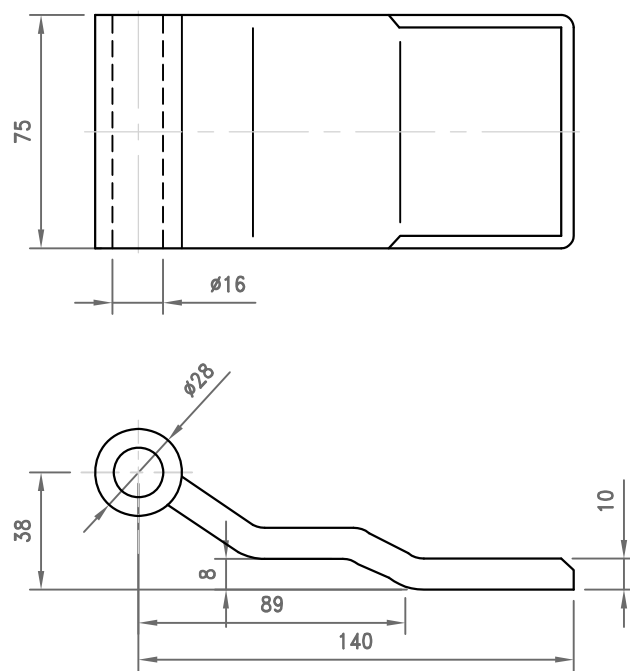


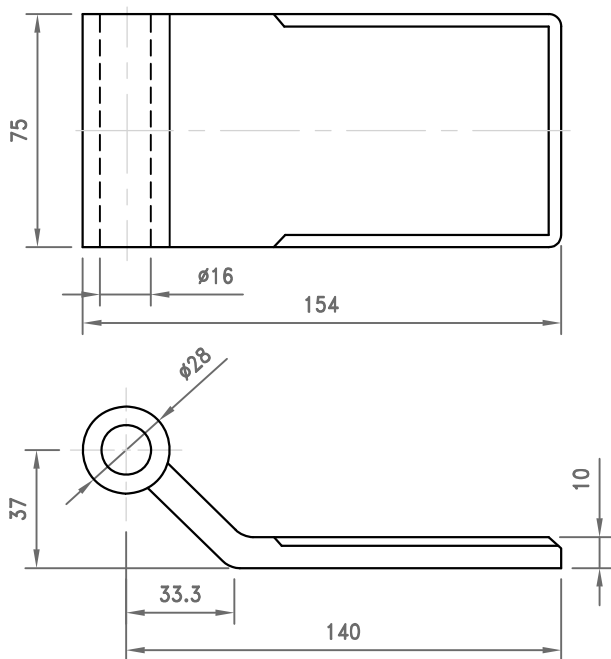
**CIMC-D24-01** Froging Type



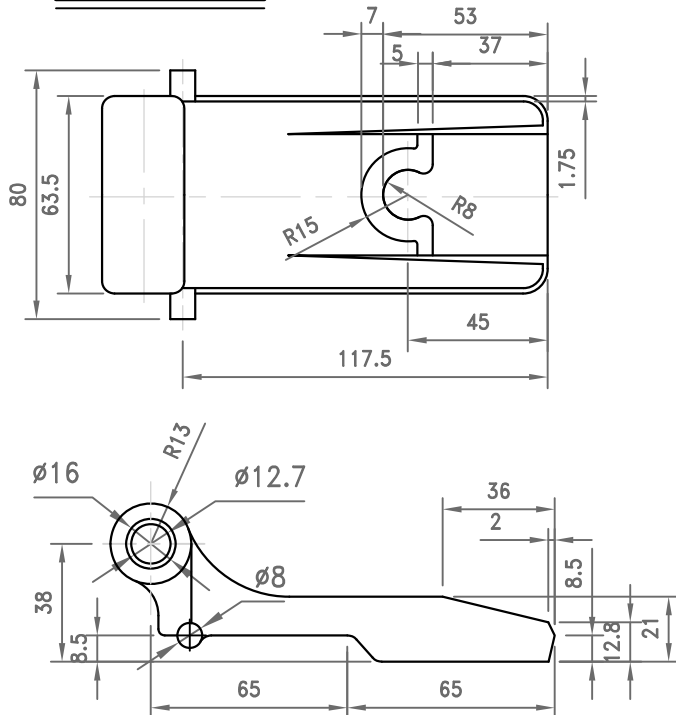
**CIMC-D24-02** Welding Type



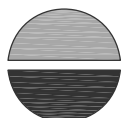
**CIMC-D24-03** Welding Type



**CIMC-D24-04** Maersk Type



TITLE	Hinge Blade 门铰链	WEIGHT	1.450/1.010/0.990/1.000KGS
MODEL		MATERIAL	SC25
PART NO.	CIMC-D24-01/02/03/04	UNIT	mm
		PAGE NO.	42



**CIMC**