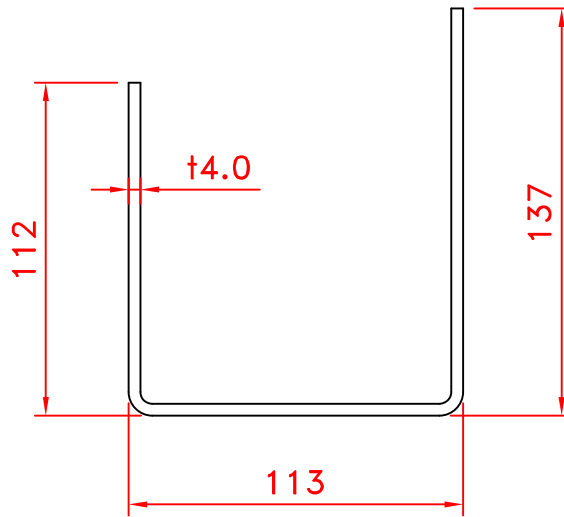
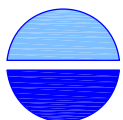


CIMC-D13-01/02



CIMC-D13-03

| PART NO. | | SPEC | |
|-------------|------------------------------|----------------------|-----------------------------|
| CIMC-D13-01 | | 3.0X394X2400 | |
| CIMC-D13-02 | | 3.0X346X2400 | |
| CIMC-D13-03 | | 4.0X112X113X137X2400 | |
| TITLE | Door Header Upper/Lower 后顶横梁 | WEIGHT | 22.608 / 19.895 / 26.150KGS |
| SPEC | | MATERIAL | CORTEN |
| PART NO. | CIMC-D13 | UNIT | mm |
| | | PAGE NO. | 21 |



CIMC