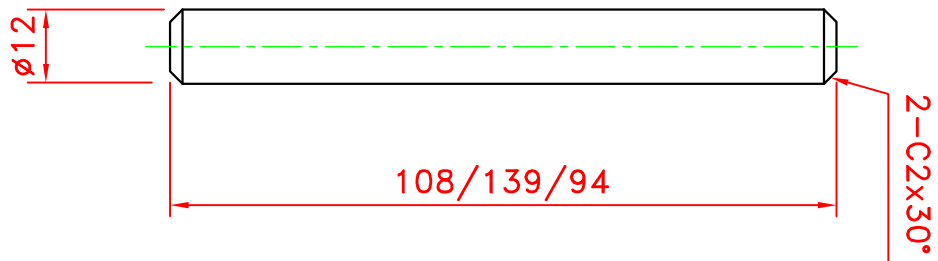


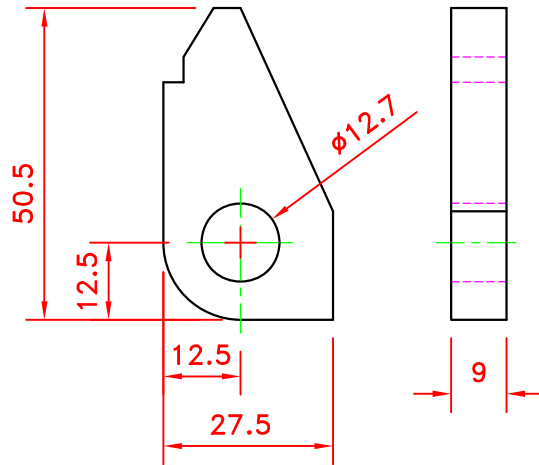
CIMC-D24-05

Hinge Pin 不锈钢插销 SUS304



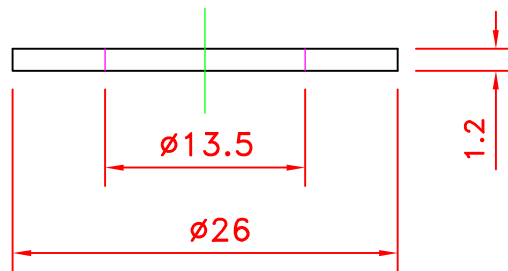
CIMC-D24-06

Hinge Lug 小吊耳 SS400

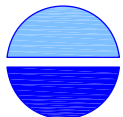


CIMC-D24-07

Brass Wash 铜垫片 Brass



TITLE	Hinge Accessary	WEIGHT	0.100/0.200/ 0.020KGS	
MODEL		MATERIAL	SUS304/SS400/Brass	
PART NO.	CIMC-D24-05/06/07	UNIT	mm	PAGE NO. 43



CIMC