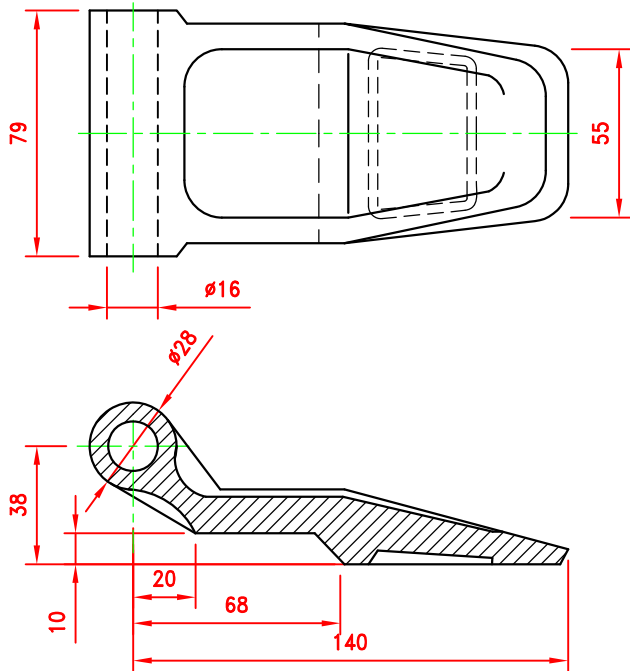
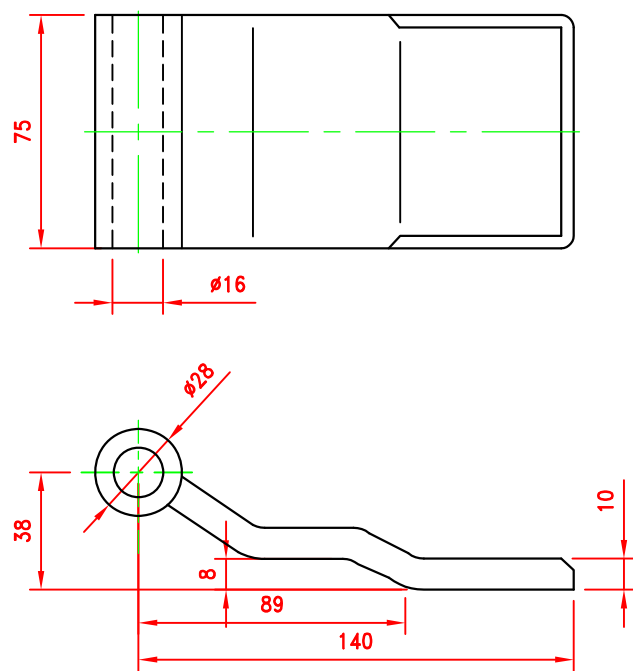


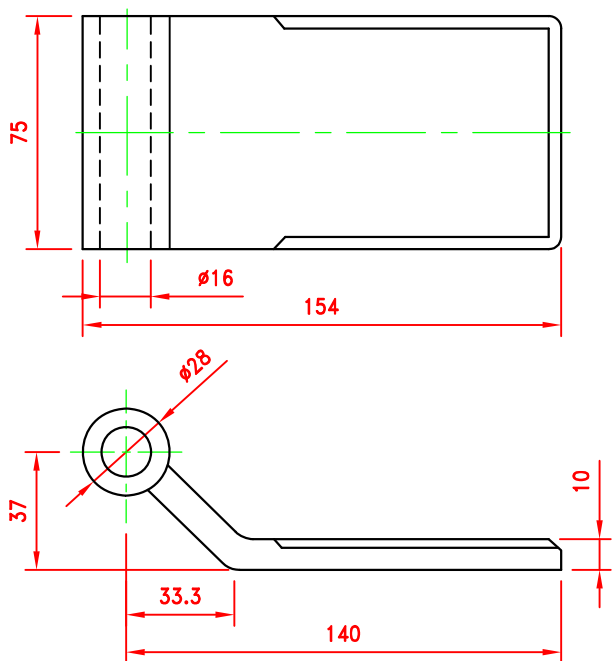
CIMC-D24-01 Froging Type



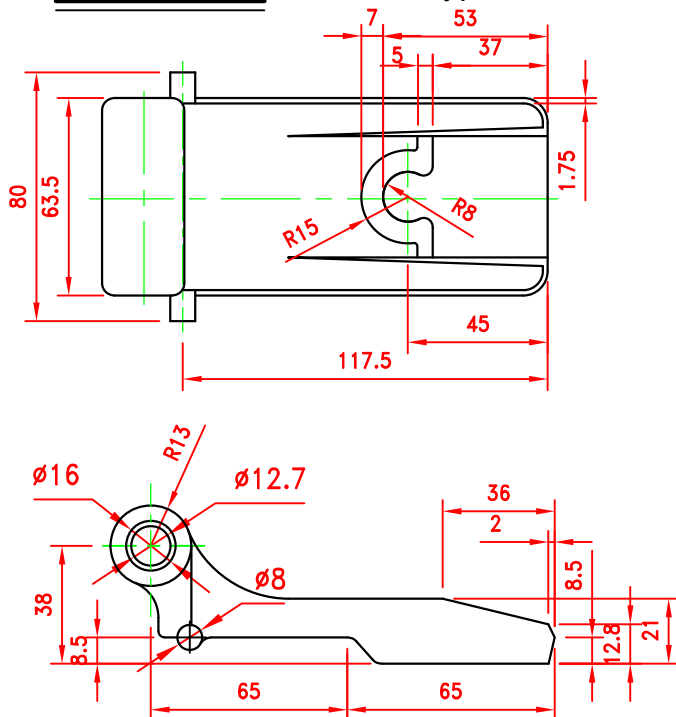
CIMC-D24-02 Welding Type



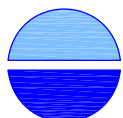
CIMC-D24-03 Welding Type



CIMC-D24-04 Maersk Type



TITLE	Hinge Blade 门铰链	WEIGHT	1.450/1.010/0.990/1.000KGS	
MODEL		MATERIAL	SC25	
PART NO.	CIMC-D24-01/02/03/04	UNIT	mm	PAGE NO. 42



CIMC