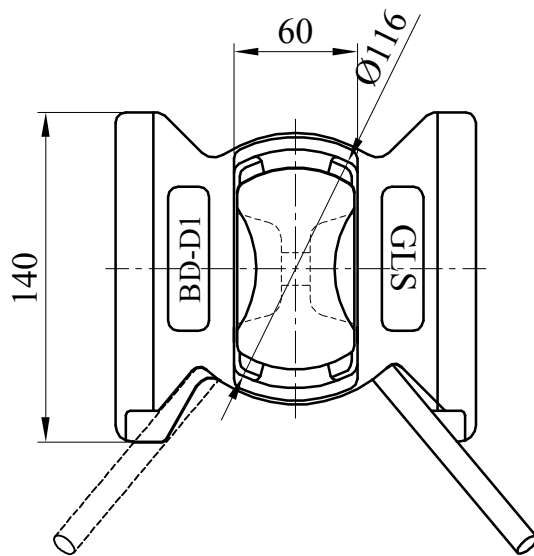
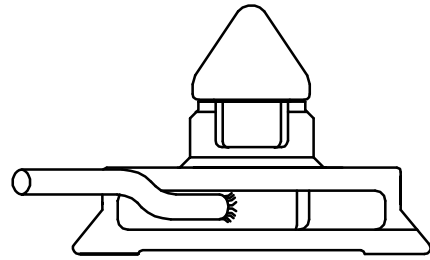
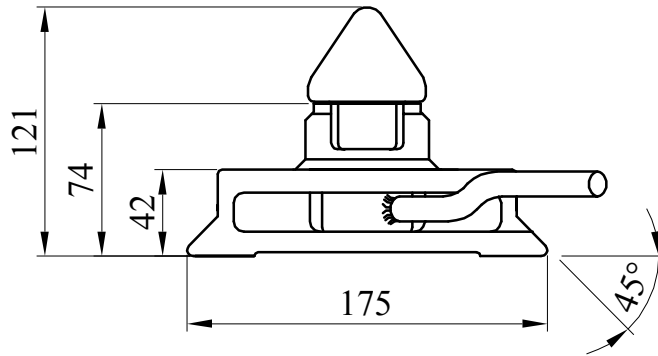
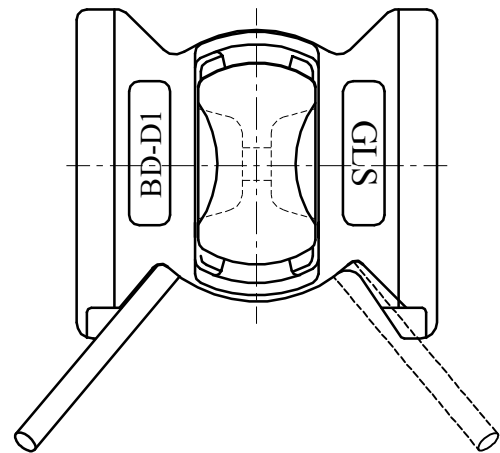


BOTTOM TWISTLOCKS

BD-D1/L
BD-D1/R



Left Locked



Right Locked



Material: Heat treatable steel

Finish: Hot dip galvanised

Weight: 5.8kg

M.B.L: Tension: 500KN

M.B.L: Shear: 420KN

M.B.L: Compression: 2000KN