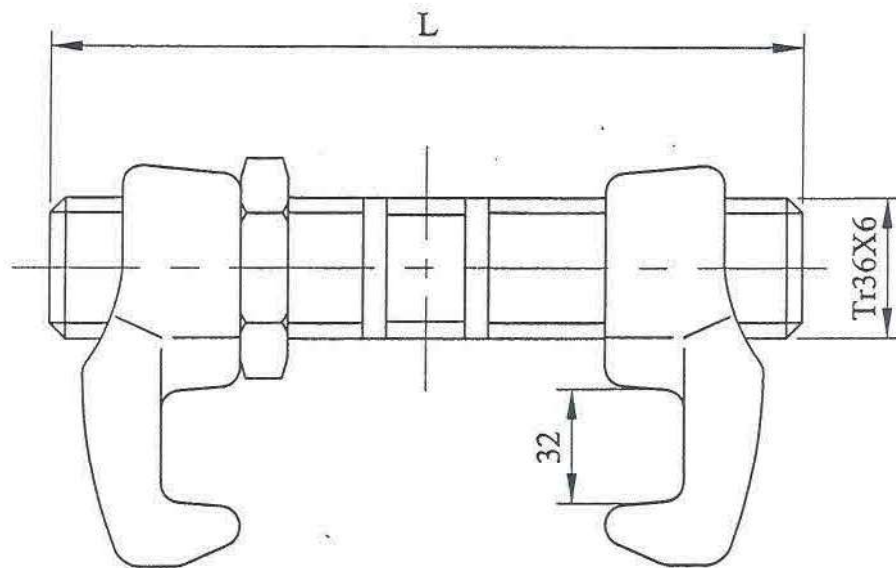


# Bridge Fitting

TYPE:BE-A1



Type	L	M.B.L	Weight
BE-A1/260	260	100KN	3.0Kg
BE-A1/380	380	100KN	4.0Kg
L according to orders			

**Material:** Forged steel

**Finish:** Hot dip galvanised

**Weight:** Table

**M.B.L:Tension:** 100KN

**M.B.L:Shear:** -

**M.B.L:Compression:** -