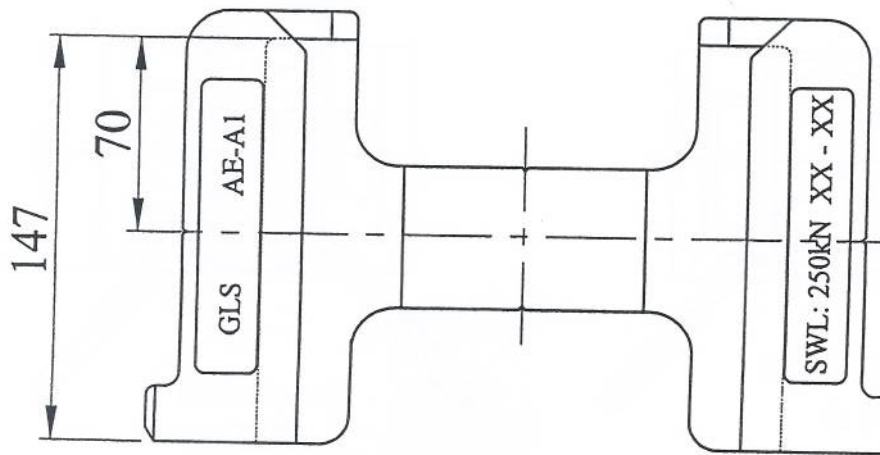
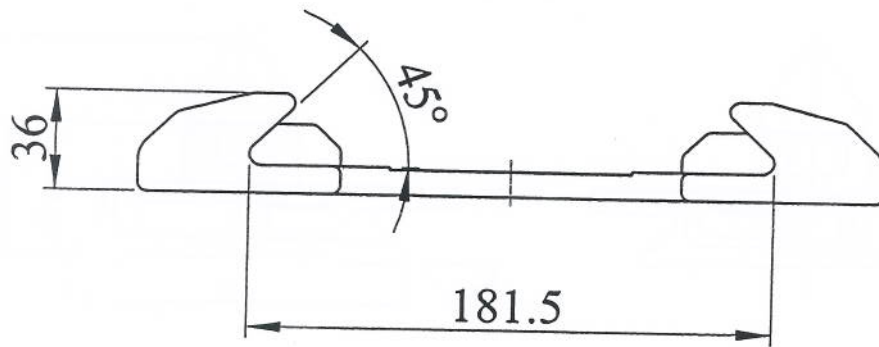


Dovetail Plate/45°

TYPE:AE-A1



Material: Casting steel

Finish: Paint

Weight: 3.9KG

M.B.L:Tension: 500KN

M.B.L:Shear: 420KN

M.B.L:Compression: -