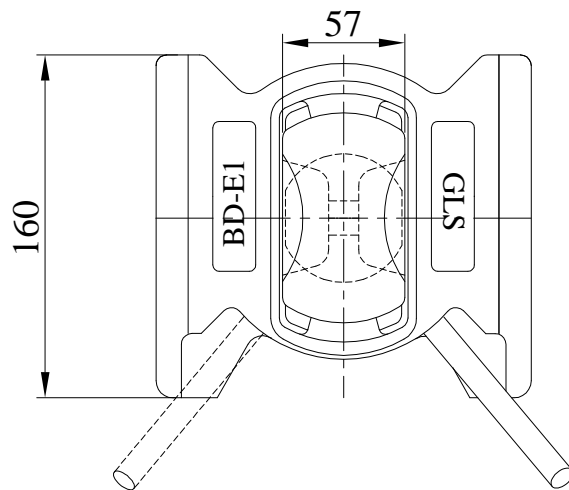
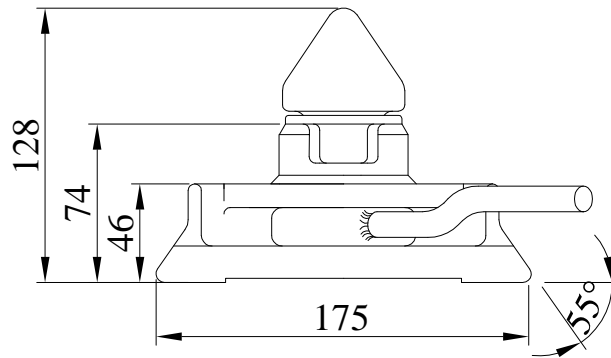


DOVETAIL TWISTLOCK 55°

BD-E1



LOADS	SHEAR [KN]	TENSION [KN]
BREAKING LOAD	420	500
SAFE WORKING LOAD	210	250

TOTAL WEIGHT	6.4 KG
MATERIAL	HEAT TREATABLE STEEL
FINISH	HOT DIP GALVANISED