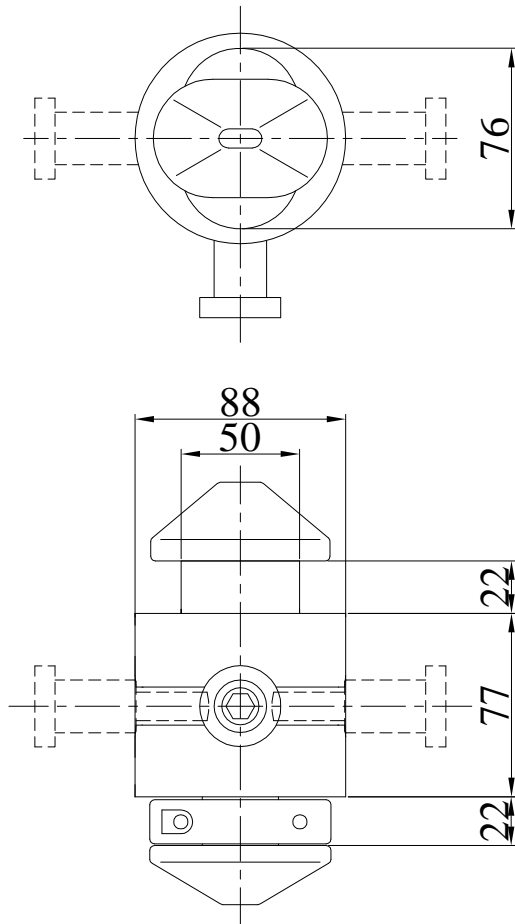


HORIZONTAL TWISTLOCK

BH-A1



LOADS	SHEAR [KN]	TENSION [KN]
BREAKING LOAD	-	200
SAFE WORKING LOAD	-	100

TOTAL WEIGHT	4.8 KG
MATERIAL	CASTING STEEL
FINISH	HOT DIP GALVANISED