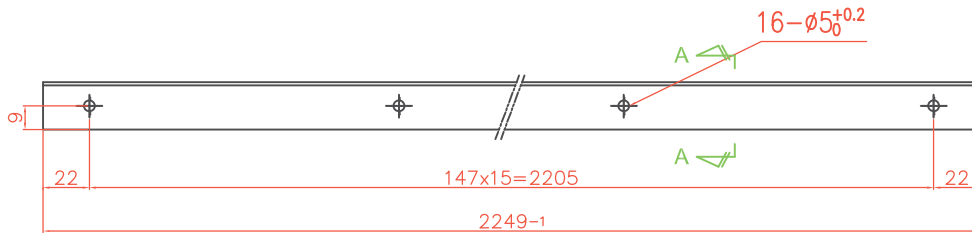
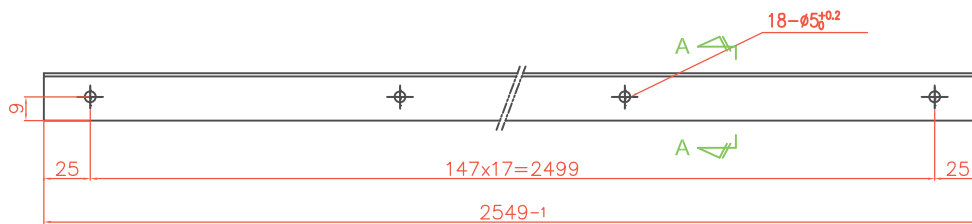


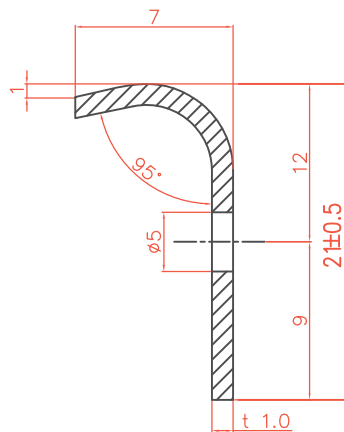
CIMC - D20 - 01A



CIMC - D20 - 01B



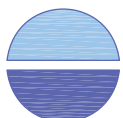
CIMC - D20 - 01C



SECTION A - A (S=8/1)

1套 / 1 SET	
水平 horizontal	4 PCS
竖直 vertical	3 PCS

TITLE	Stainless Door Seal Retainer Strip 门压条	WEIGHT	0.15/0.305/0.305kgs	
SPEC	t1.0x21x7xL	MATERIAL	SUS304	
PART NO.	CIMC-D20-01A/B/C	UNIT	mm	PAGE NO. 26



CIMC