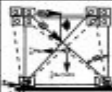


H = 110 STANDARD

Mod.	Date	Check	Description							
c	03/06/08	EN	Section drawing modified, height indication modified							
b	15/02/08	EN	General update							
Scale	1:3	Strength (kN):		Weight	6.9	kg	Material	Cast steel	Finish	Primed
Drawing Size	A4	MSL	Tension	250	Shear		Compr.		 CONTAINER TECHNICS N.V. Haven 219 - Emdenweg 27 - B-2030 ANTWERP tel: +32.3.546.41.00 - fax: +32.3.541.18.01 mailto: info@contech.be www.containertechnics.com	
		PL	375							
		BL	500							
Description								Project		
Raised ISO deck socket										
Drawn	Satta M	07/09/04	Check	Zwysen P	07/09/04	Reference no.	FR-71C		Page	1
									Mod.	c

