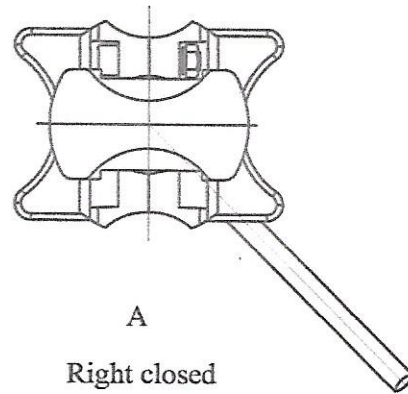
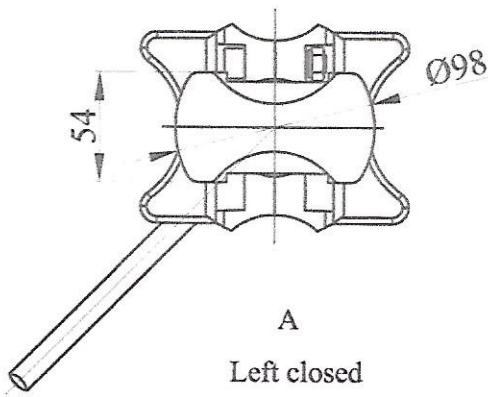
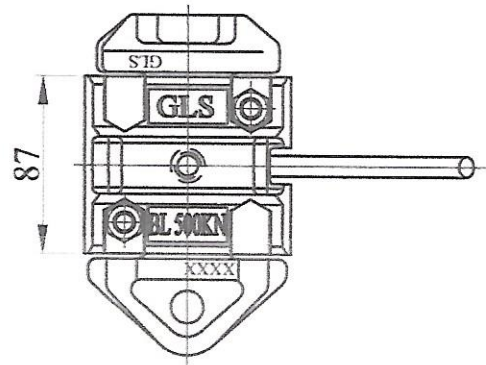
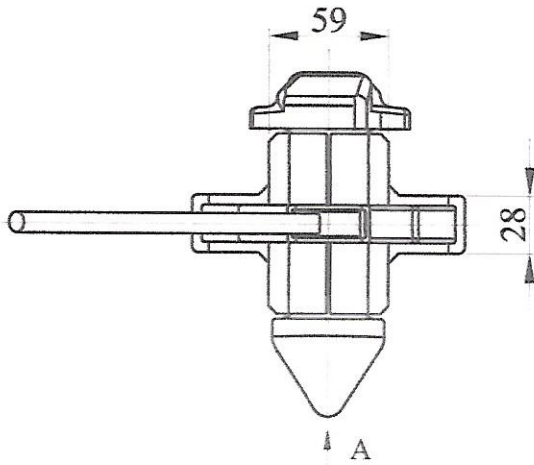


Manual Twistlock

TYPE:BD-A2



Material: Forged steel
Finish: Hot dip galvanised
Weight: 4.5KG

M.B.L:Tension: 500KN
M.B.L:Shear: 420KN
M.B.L:Compression: 2000KN