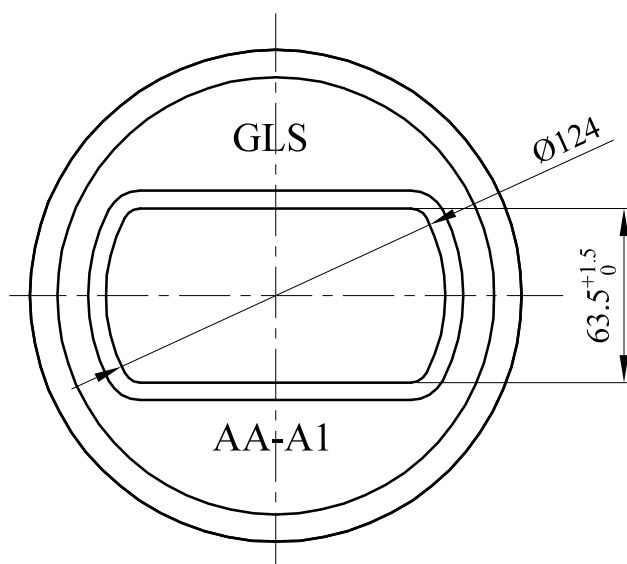
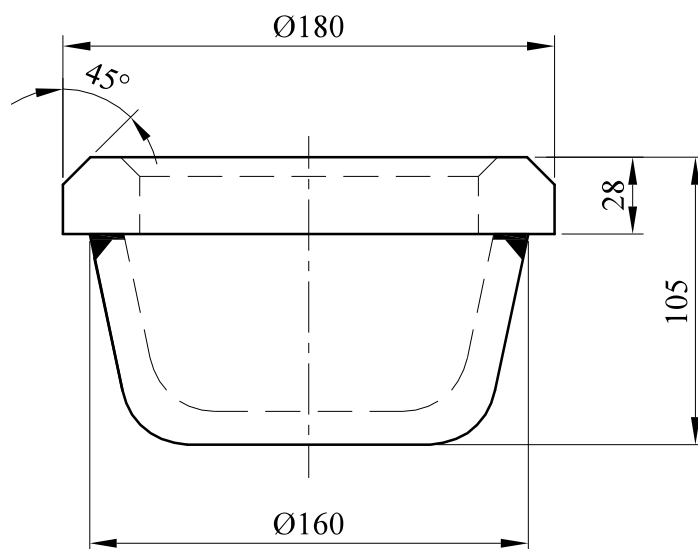


# TWISTLOCK POCKETS FOR CONTAINER LASHING

## AA-A1



**Material:** Structural steel

**Finish:** Shop primer

**Weight:** 7.3kg

**M.B.L: Tension:** 500KN

**M.B.L: Shear:** 420KN

**M.B.L: Compression:** 2000KN